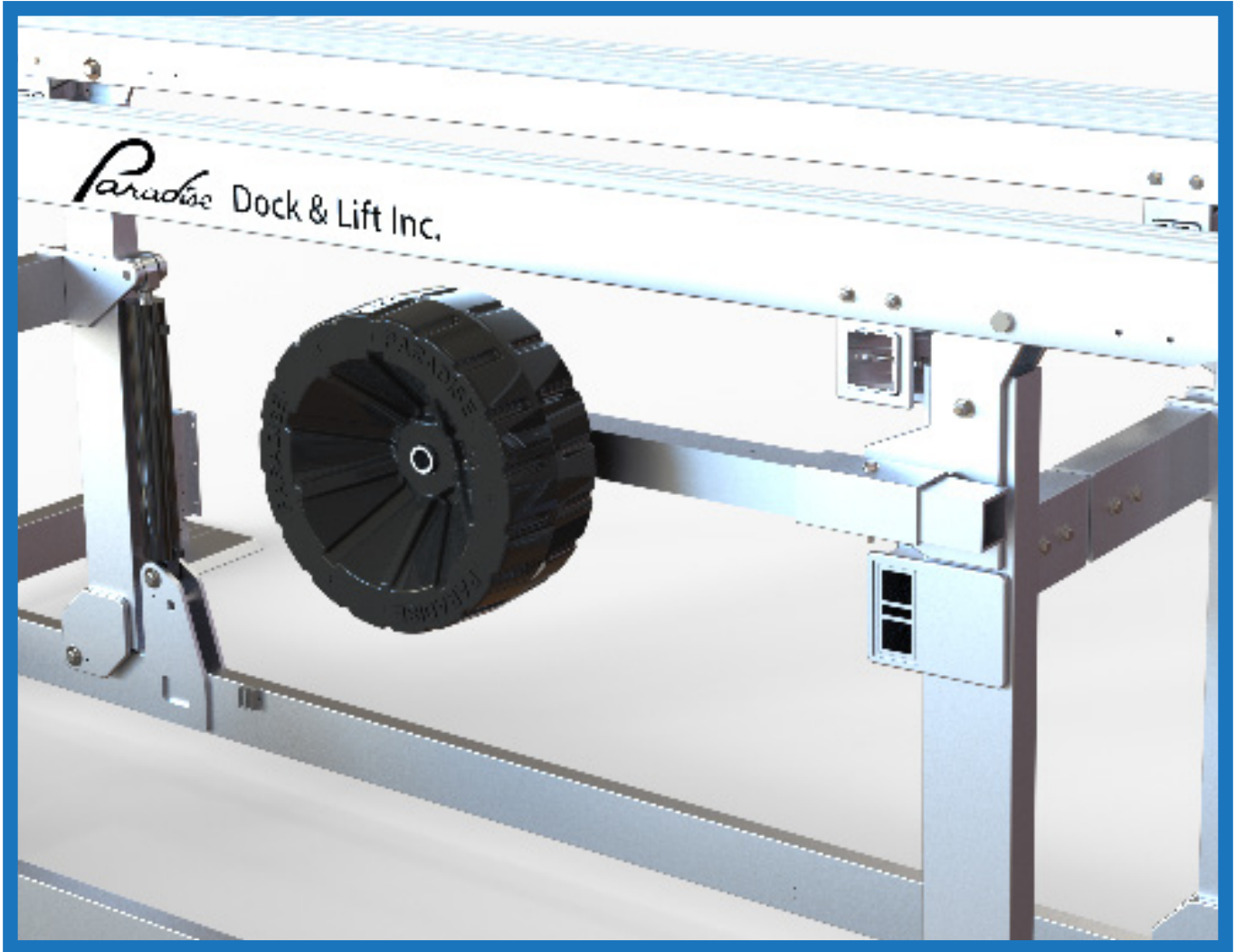




4ft Lift Wheel Kit Manual



Paradise Dock & Lift Inc.



READ CAREFULLY & RETAIN THIS DOCUMENTATION
PRIOR TO INSTALLATION AND USE!

4311A 25 Ave. Vernon, BC
V1T 1P5
Local: 250-503-8630
Toll Free: 1-888-411-3625

info@paradisedocklift.com
www.paradisedocklift.com

Issued: 2022-07-26
COPYRIGHT © 2021
PARADISE DOCK & LIFT

SAFETY INFORMATION



Always read and obey all safety messages and instructions when assembling, installing or operating the boat lifting system. Boatlifts are heavy equipment that pose major hazards. Your safety is of utmost importance so if there is any misunderstanding with information contained in this manual, please contact your dealer or the manufacturer. Important safety messaging will be outlined as follows:



DANGER! Failure to follow instructions **WILL** result in serious injury or death.



CAUTION! Failure to follow instructions **CAN** result in serious injury or death.



WARNING! Failure to follow instructions/take appropriate actions **COULD** result in serious injury, death, and/or property damage.

Note:

Paradise Dock & Lift Inc reserves the right to make changes to this product and manual at any time without notice. This manual includes the latest information at the time it was printed and the product was shipped. This manual should be kept available to whoever is using this product.



DANGER!

- Never allow any persons to go under or on the lift particularly when it is operating or supporting a load.
- All persons must stay clear of lift while the lift is in operation.
- Never service a boatlift, boat or boatlift accessory while the lift is supporting a load.
- Your lift system is not intended to support people, never actuate the lift with people on-board. Unload and load passengers only when the boat is floating and not supported by the lift.
- Never exceed the lift's rated capacity. The gross/loaded weight of your watercraft should always be less than the lift capacity as indicated on the serial plate.



STAY CLEAR!



DO NOT RIDE LIFT!



CAUTION!

- Only operate the system to lift the watercraft, do not use the system for other purposes or items.
- The lift should only be operated by adults or under direct adult supervision. Anyone who operates the lift must be fully aware of the information outlined in this manual.
- Do not play on or around the lift.
- It is not possible for the manufacturer to identify all hazards surrounding the site assembly, installation and operation of a lift system. Owners, dealers, and installers must use good judgement to assess risk, and make installation, maintenance, and operation decisions: Do not operate in poor conditions, when system is not level, or when noticeable corrosion/damage/defects are present.
- Failure to properly position boat on lift could make the lift unstable.
- Keep long hair, loose clothing, and jewelry away from any moving parts.



CAUTION!

- During the first few operations of the lift, the weight of the watercraft may cause the lift to settle. Stay well away from the lift during actuation until it is seen that the installation is stable.
- The frame structure, welds, bolt and pin conditions should be inspected for issues such as corrosion and wear annually.
- Do not store items in the power pack box, items may damage hydraulic and electrical systems.



WARNING!

- Leave the lift in the fully “up over centre” position during storage, this is the safest position.
- Do not position the lift near areas where people swim or dive frequently. When it is lowered, swimmers may inadvertently hit the lift causing injury.
- Ensure that the lift remains level within 2 inches. Out-of-level lift installations may be unstable and increases the risk of capsizing and injury.
- Never disconnect hydraulic hoses with a watercraft on the lift.
- Never enter the lift while the boat is under power. Glide in at a slow speed. The lift is not designed to take large impacts from a fast moving boat. Large impacts may cause damage to the lift.
- It is recommended that the lift be partially raised out of the water if people are swimming in the vicinity. Use the remote to raise the lift when departing so swimmers can see the location of the boat lift.

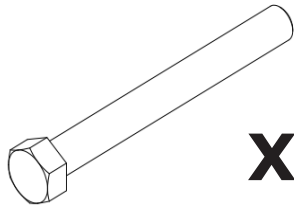
LIABILITY DISCLAIMER

Installation and assembly instructions provided are intended for authorized Paradise Dock & Lift dealers and installers. If you require assistance, please contact Paradise Dock & Lift to be put in contact with a dealer in your area who can safely assemble and install this system. An installer must determine if they have the necessary experience, knowledge and skills to safely assemble and install a lift system. If there is any confusion, please contact Paradise Dock & Lift. Improper assembly and/or installation may cause a risk to property, safety or lift functionality/reliability. A failure to correctly follow assembly and installation instructions constitutes a waiver of the installers rights against Paradise Dock & Lift for subsequent damages. The installation instructions provided are not a warranty or guarantee, best judgement must be used during installation.

Many boats (catamarans, v-hull, pontoon, tritoon, etc) require custom supports and bunk configurations. Any watercraft should be supported as per boat manufacturer recommendations and installers should contact the boat manufacturer to verify. Incorrect and inadequate support may result in boat damage. Paradise Dock & Lift can not determine, guarantee, warrant or take responsibility for bunk/support configurations meeting each manufacturers recommendation.

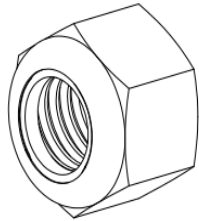


REQUIRED HARDWARE:



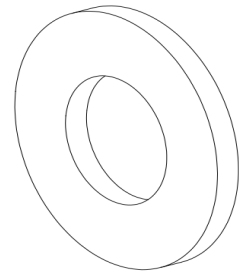
X8

1/2" - 13 UNC - 5" Hex Bolt



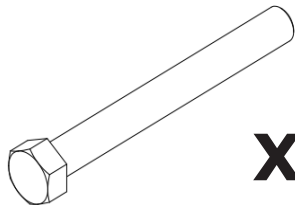
X8

1/2" - 13 UNC Nylock Hex Nut



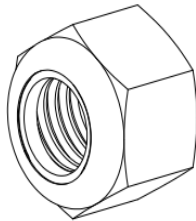
X16

1/2" Flat Washer



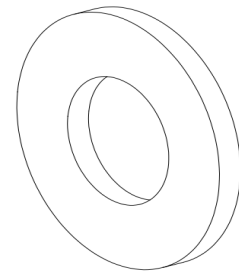
X4

3/8" - 16 UNC - 4 1/2" Hex Bolt



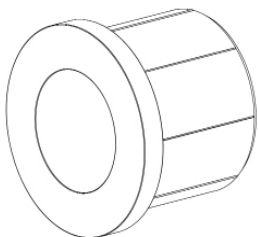
X4

3/8" - 16 UNC Nylock Hex Nut



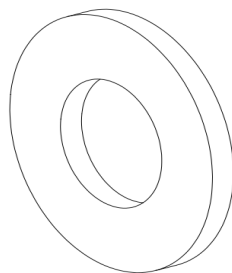
X8

3/8" Flat Washer



X8

Black Delrin Bushing



X16

1 1/2" ID Bunk Spacers

ASSEMBLING THE WHEEL KIT

Step 1a: Install the range extenders:

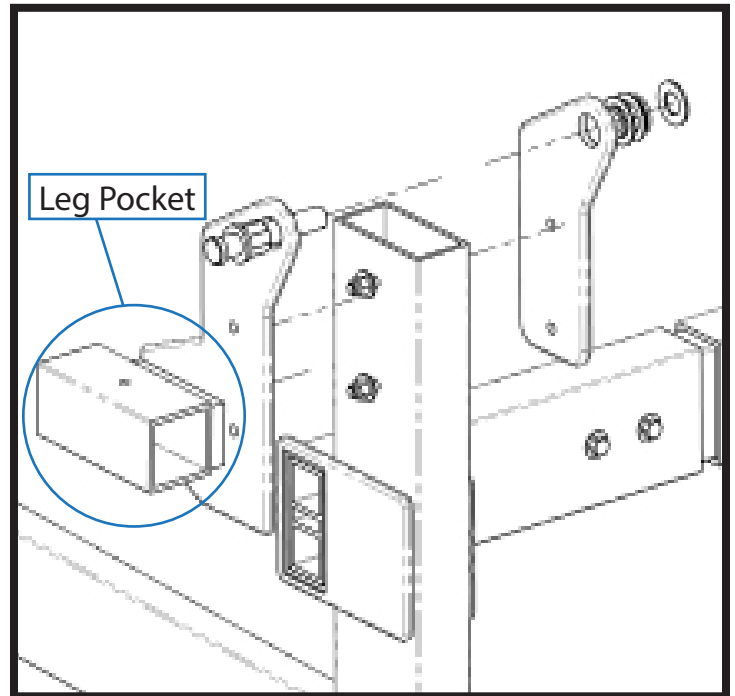
Using the:

- 1/2" - 5" Bolts
- 1/2" Nylock Nuts
- 1/2" Flat Washers

Bolt the range extenders to the H-frames. Ensure the leg pocket faces down when the lift is collapsed.

Install the washers under each nut and bolt.

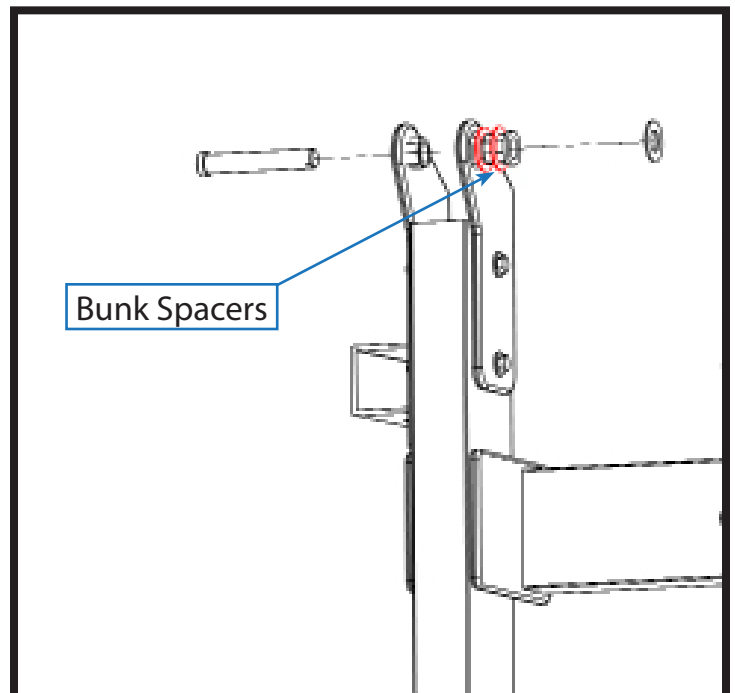
Apply anti-seize to all bolts before tightening.



Step 1b: Ensure the Bunk Spacers are on the Inside of H-Frames:

Two bunk spacers (1-1/2" ID aluminum washers) are to be installed on the inner facing side of the range extenders. The bunk spacers will go between the range extender plate and the black Delrin bushing.

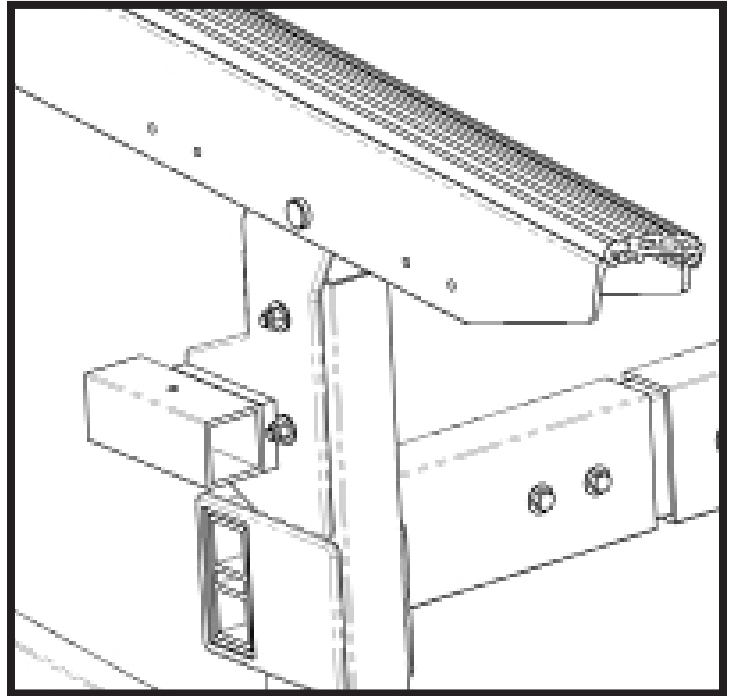
Correct installation of these spacers is important to prevent the possibility of the bunks binding or catching on other lift parts.



Step 2: Install Bunks:

Install the bunks the same as with any other standard range extenders.

It can help to lower both H-frames, install one end of the bunks, then use the lift controls to align the second bunk pin holes with the range extenders.



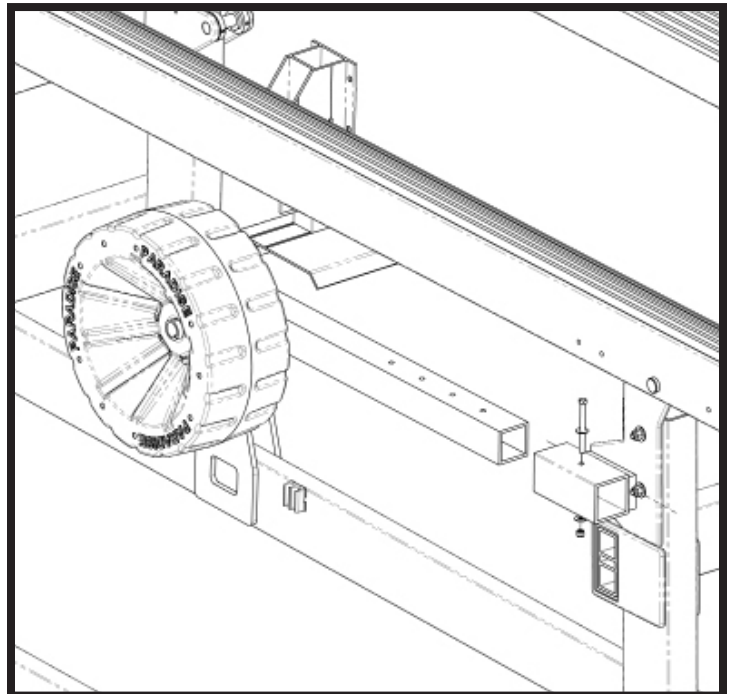
Step 3: Install the Wheels and Legs:

Install the wheel kit legs by sliding them into the leg pocket, then bolting them with the:

- 3/8" - 4 1/2" Bolts
- 3/8" Nylock Nuts
- 3/8" Flat Washers

Install the washers under each nut and bolt.

Apply anti-seize to all bolts before tightening.

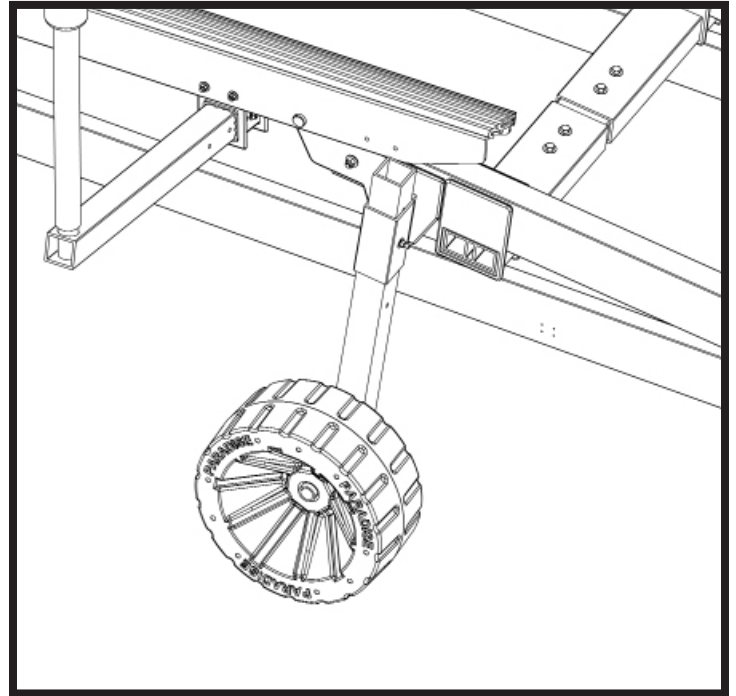


Step 4: Ensure Smooth Operation:

Run the lift into its down position.

Check that no lines are being pinched, and no parts are colliding.

Be aware that the lift can roll freely once it is lifted up by the wheel kits.



WARRANTY

PARADISE DOCK & LIFT INC. 15 YEAR LIMITED WARRANTY

Paradise Dock & Lift Inc. ("Paradise") warrants to the original purchaser that its parts for residential use are free from defects in materials and workmanship as stated in this Limited Warranty during the Warranty Period as identified herein. The Warranty Period begins on the date of purchase as shown on its receipt or invoice. The Limited Warranty is not transferrable or assignable. Any product used commercially or for non-residential use is limited to a 1-year warranty.

Dock Frames: Roll-In Dock, Sectional Dock, Floating Docks – 15 Year Warranty Period			
Paradise will provide replacement parts, on a non-pro-rated basis, for five (5) years from the date of purchase for these items if they are found to be defective in workmanship. After this 5-year parts warranty, an additional ten-year pro-rated warranty covers these components as shown below. Aluminum decking is warranted for 5 years, the warranty does not include paint fading, paint wear, scratches, and denting. Third-Party components carrier their respective warranty from their manufacturer.			
The pro-rated schedule of these items is as follows:			
Year After Purchase	Consumer Portion of Current Retail Price	Year After Purchase	Consumer Portion of Current Retail Price
6	5% Parts Only	11	50% Parts Only
7	10% Parts Only	12	60% Parts Only
8	20% Parts Only	13	70% Parts Only
9	30% Parts Only	14	80% Parts Only
10	40% Parts Only	15	90% Parts Only

Boat Lift Frames – 15 Year Warranty Period			
Paradise will provide replacement parts, on a non-pro-rated basis, for five (5) years from the date of purchase for these items if they are found to be defective in workmanship. After this 5-year parts warranty, an additional ten-year pro-rated warranty covers these components as shown below. This is exclusive of the hydraulics, hoses and powerpack, which parts only have three (3) years coverage from the date of purchase if found to be defective in workmanship.			
The pro-rated schedule of these items is as follows:			
Year After Purchase	Consumer Portion of Current Retail Price	Year After Purchase	Consumer Portion of Current Retail Price
6	5% Parts Only	11	50% Parts Only
7	10% Parts Only	12	60% Parts Only
8	20% Parts Only	13	70% Parts Only
9	30% Parts Only	14	80% Parts Only
10	40% Parts Only	15	90% Parts Only

Dock Accessories, Boat Lift Accessories, Wheel Kits & Tires – 3 Year Warranty Period

Defects in the material and workmanship of certain accessories of Paradise dock and boat lift systems are covered under a three (3) year pro-rated warranty. Items covered include wheel kits, plastic wheels/tires, benches (except cedar boards), bumpers, dock stairs, ladders, dock furniture/tables, kayak/canoe rack/ flagpole, shore-end ramps (except cedar boards), support poles, poly decking, hammocks, guide-ons, bow-stops, canopies, walkways and powerpack brackets.

This Limited Warranty is for the repair or replacement of parts only. If you discover a parts defect, you must notify your local Paradise dealer or distributor, in writing, of any claim under this Limited Warranty. Your written notification must include proof of purchase which includes the original name, address, and details about the warranty claim. At Paradise's request for confirmation of defect, you are responsible for returning the part to your local Paradise's dealer or distributor. The replacement part shall be warranted for the balance of the Warranty Period remaining on the original part.

AFTER RECEIVING NOTIFICATION OF THE DEFECT, PARADISE WILL, AT ITS DISCRETION, REPAIR, REPLACE, OR, IF PARADISE DETERMINES IN ITS SOLE DISCRETION THAT REPAIR OR REPLACEMENT IS NOT FEASIBLE, REFUND THE PURCHASE PRICE OF THE PART FOUND ON EXAMINATION BY PARADISE TO BE DEFECTIVE UNDER NORMAL USE AND SERVICE. IN ORDER TO ALLOW PARADISE AN OPPORTUNITY TO ASSESS THE CONDITION OF THE PART FOR WHICH A WARRANTY CLAIM IS MADE, YOU SHALL PROVIDE REASONABLE ACCESS TO THE PART TO PARADISE AND/OR ITS AGENTS, WHICH INCLUDES PARADISE DEALERS OR DISTRIBUTORS. TO FACILITATE THE PROMPT ASSESSMENT OF YOUR WARRANTY CLAIM, PARADISE MAY, FROM TIME TO TIME, REQUIRE THAT YOU PROVIDE ADDITIONAL DOCUMENTATION, PHOTOGRAPHS AND OTHER INFORMATION. FAILURE TO PROVIDE THE FOREGOING WITHIN A REASONABLE TIME FROM THE DATE OF REQUEST BY PARADISE WILL INVALIDATE YOUR LIMITED WARRANTY.

Routine maintenance and checking for loose connections or damaged parts must be performed on a monthly basis. Paradise shall not warrant and cover any damage caused by circumstances outside the reasonable control of Paradise, or defect in the parts directly or indirectly, or wholly or partly attributable to:

- (a) the misuse, negligence, abuse, neglect, improper installation, including any damage to the parts resulting from alterations or modifications made by any person not authorized by Paradise;
- (b) exposure of the parts to snow or ice, salt water use, natural expansion or contraction of parts caused by weather conditions, severe weather conditions, storms, vandalism, being hit by another a watercraft, terrorism, or acts of God;
- or
- (c) accident, overloading, power surges, corrosion, or operation of the parts on circuits or voltage other than those specified to the parts.

THIS LIMITED WARRANTY IS YOUR EXCLUSIVE WARRANTY AND REPLACES ALL OTHER WARRANTIES OR CONDITIONS, EXPRESS OR IMPLIED, INCLUDING BUT NOT LIMITED TO, THE IMPLIED WARRANTIES OR CONDITIONS OF MERCHANTABILITY AND FITNESS FOR A PARTICULAR PURPOSE.

Some provinces or jurisdictions do not allow limitations on how long an implied warranty lasts, so the above duration may not apply to you.

IN NO EVENT SHALL PARADISE, ITS SUBSIDIARIES, PARENT, SUPPLIERS, DEALERS, DISTRIBUTORS, RESELLERS OR SERVICE PROVIDERS BE LIABLE FOR: (i) third party claims against you for damages; or (ii) special, incidental, indirect or consequential damages, including lost profits, business revenue, goodwill or anticipated savings, these exclusions apply even if paradise has been advised of the possibility of these damages and even if any remedy fails of its essential purpose. Subject to this paragraph, any claim for damages for breach of warranty shall be limited to the purchase price of the part.

NOTHING IN THIS LIMITED WARRANTY AFFECTS STATUTORY RIGHTS THAT CANNOT BE WAIVED OR LIMITED BY THIS LIMITED WARRANTY.



Paradise Dock & Lift Inc.

4311A 25 Ave.

Vernon, BC, Canada

V1T 1P5

paradisedocklift.com

info@paradisedocklift.com

1-888-411-3625

SPECIFICATIONS & INSTRUCTIONS SUBJECT TO CHANGE
WITHOUT NOTICE.

COPYRIGHT © 2021 PARADISE DOCK & LIFT INC.