



CANOPY INSTALLATION MANUAL



For 25' and 27' Models

Paradise Dock & Lift Inc.



READ CAREFULLY & RETAIN THIS DOCUMENTATION
PRIOR TO INSTALLATION AND USE!

4311A 25 Ave. Vernon, BC
V1T 1P5
Local: 250-503-8630
Toll Free: 1-888-411-3625

info@paradisedocklift.com
www.paradisedocklift.com

Issued: 2022-12-01
COPYRIGHT © 2021
PARADISE DOCK & LIFT

CONTENTS

Hardware List.....	2
Safety Information	3
Liability Disclaimer.....	3
Terminology	4
Assembly Instructions	5
General Maintenance.....	9
Warranty	10

HARDWARE LIST

	QUANTITY	DESCRIPTION
UPRIGHTS	8	3/8"-16 X 4" HEX BOLTS
	8	3/8"-16 KEP NUTS
	8	3/8" FLAT WASHERS
INSERTS	4	3/8" X 2" BUTTON HEAD BOLTS
	4	3/8"-16 KEP NUTS
	4	3/8" FLAT WASHERS
FRAME	24	3/8"-16 ALUMINUM NYLOCK NUTS
	48	3/8" FLAT WASHERS
	24	3/8"-16 X 2 3/4" BUTTON HEAD BOLTS
BRACING (27' ONLY)	2	3/8"-16 X 3 1/3" U-BOLTS
	4	3/8"-16 KEP NUTS
	4	3/8"-16 X 3/4" BUTTON HEAD BOLTS
	4	3/8"-16 SPLIT NUTS
	4	3/8" LOCK WASHERS

SAFETY INFORMATION



Always read and obey all safety messages and instructions when assembling, installing or operating the boat lifting system or its accessories. Boat lifts are heavy equipment that pose major hazards. Your safety is of utmost importance so if there is any misunderstanding with information contained in this manual, please contact your dealer or the manufacturer. Important safety messaging will be outlined as follows:



DANGER! Failure to follow instructions **WILL** result in serious injury or death.



CAUTION! Failure to follow instructions **CAN** result in serious injury or death.



WARNING! Failure to follow instructions/take appropriate actions **COULD** result in serious injury, death, and/or property damage.

Note:

Paradise Dock & Lift Inc reserves the right to make changes to this product and manual at any time without notice. This manual includes the latest information at the time it was printed and the product was shipped. This manual should be kept available to whoever is using this product.

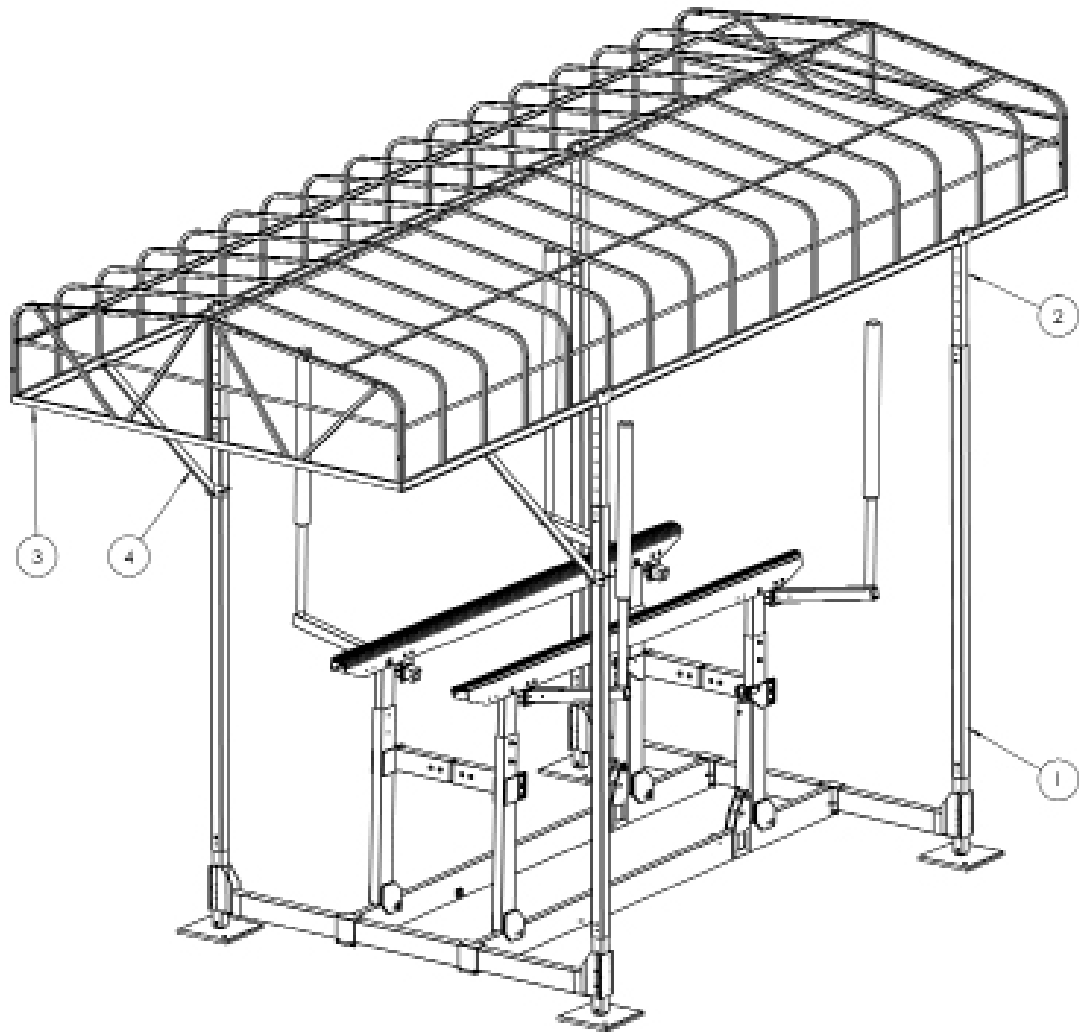
CAUTION!

- Be aware of the location of the canopy relative to the boat and lift components while lift is in operation. Make sure the canopy is set at the right height.
- Avoid touching the canopy or boat lift while lift is in use.
- Do not operate the boat lift in high winds with canopy cover installed.

LIABILITY DISCLAIMER

Installation and assembly instructions provided are intended for authorized Paradise Dock & Lift dealers and installers. If you require assistance, please contact Paradise Dock & Lift to be put in contact with a dealer in your area who can safely assemble and install this system. An installer must determine if they have the necessary experience, knowledge and skills to safely assemble and install a this system. If there is any confusion, please contact Paradise Dock & Lift. Improper assembly and/or installation may cause a risk to property, safety or lift functionality/reliability. A failure to correctly follow assembly and installation instructions constitutes a waiver of the installers rights against Paradise Dock & Lift for subsequent damages. The installation instructions provided are not a warranty or guarantee, best judgment must be used during installation.

TERMINOLOGY



Number	Name
1	Uprights
2	Inserts
3	Canopy Frame
4	Bracing (27' Only)

ASSEMBLY INSTRUCTIONS

Tools Required:

- 9/16" wrench, socket and ratchet
- 7/32" Allen key
- Tape measure



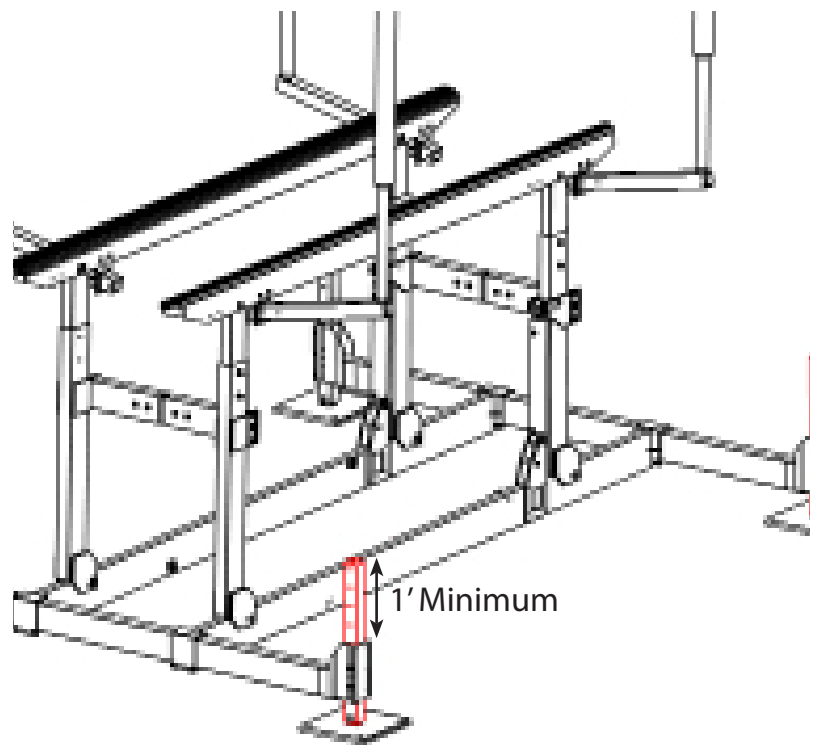
⚠ WARNING! - Follow all assembly instructions, failure to assemble lift as described may lead to warranty issues, hazards, or the lift malfunctioning.

⚠ WARNING! - Apply anti-seize to ALL stainless steel bolts.

⚠ WARNING! - Do not install washers under kep nuts. Kep nuts with washers are more likely to back off.

Step 1: Before Starting Installation:

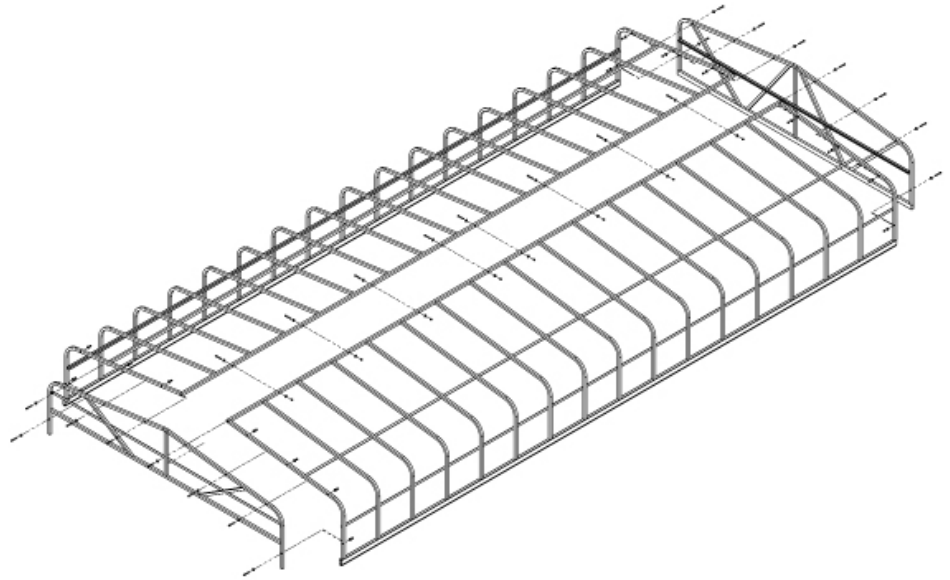
Make sure there is at least 1' of leg exposed above the leg pockets before proceeding with canopy installation.



Step 2: Assemble Canopy Frame and Set Aside

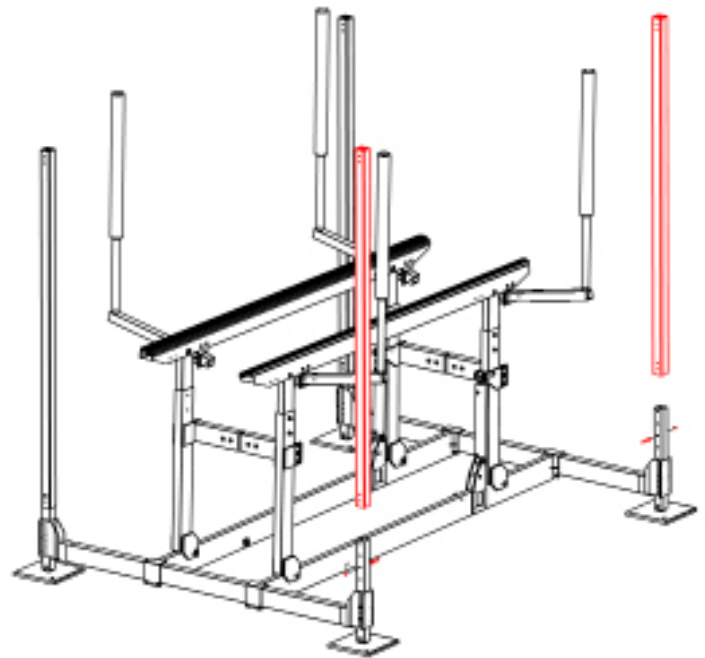
The canopy frame is assembled using 3/8"-16 x2 3/4" button head bolts, 3/8"-16 aluminum Nylock hex nuts, and 3/8" flat washers.

Use a flat washer on each side of every bolt and nut connection.



Step 3: Install Uprights

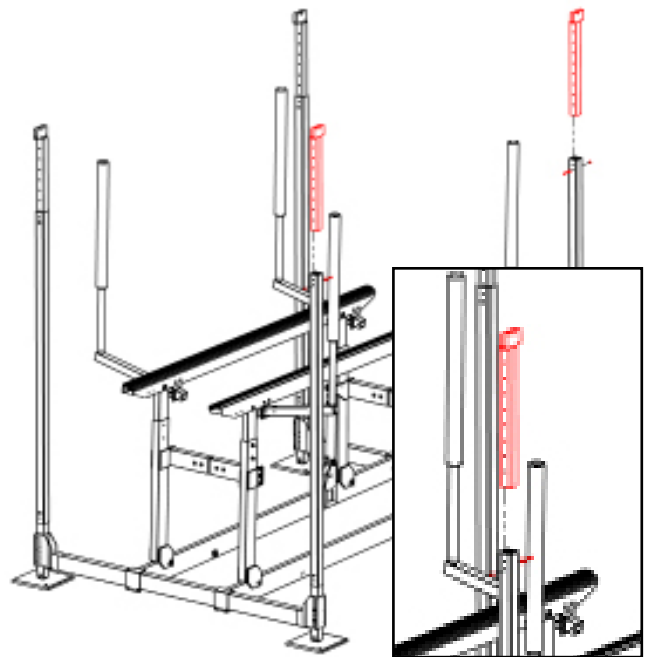
Secure each upright with one 3/8"-16 x4" hex bolt, 3/8"-16 kee nut, and a 3/8" flat washer.



Step 4: Install the Inserts

Secure each upright to the desired height with one 3/8"-16 x4" hex bolt, 3/8"-16 kep nut, and a 3/8" flat washer.

Install the inserts with the U-channel away from the center of the lift.

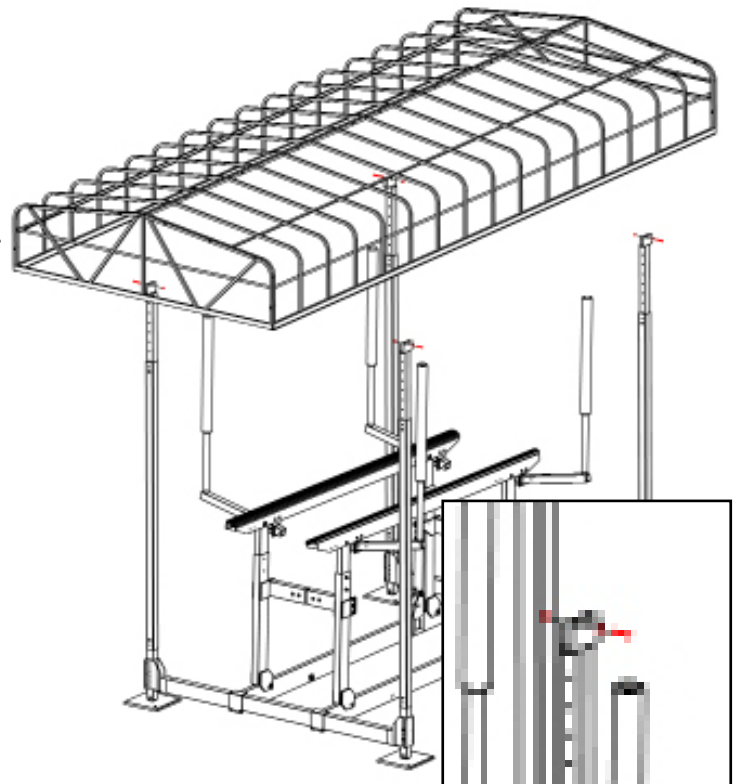


Step 5: Install Canopy Frame

Lift the assembled canopy frame into the U-channel on the end of the inserts.

Loosely install the 3/8"-16 x2" button head bolts, 3/8"-16 kep nuts, and 3/8" washer so the canopy can still slide back and forth for adjustment later.

Make sure the button head is on the outside of the canopy frame to avoid damaging the cover.

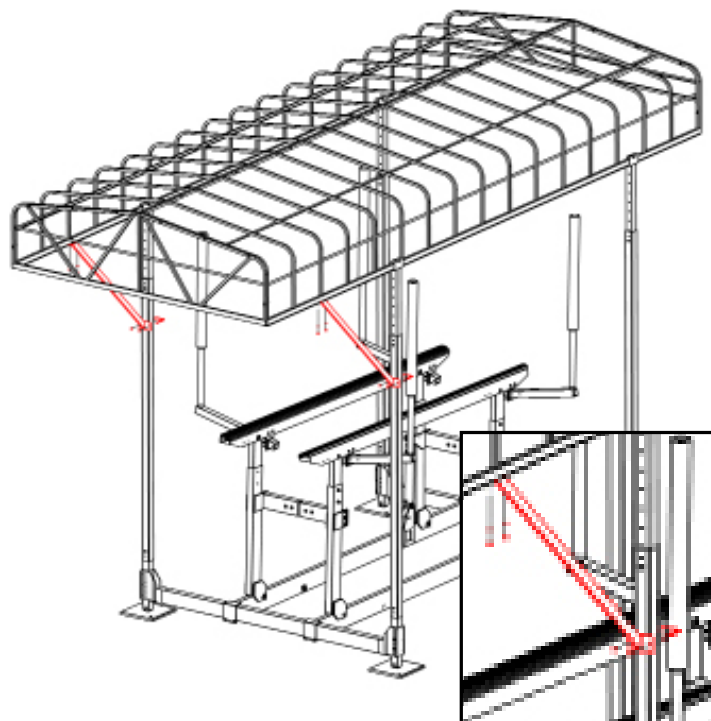


Step 6: Position Canopy Frame

Position the canopy frame so it overhangs both ends of the boat then tighten bolts.

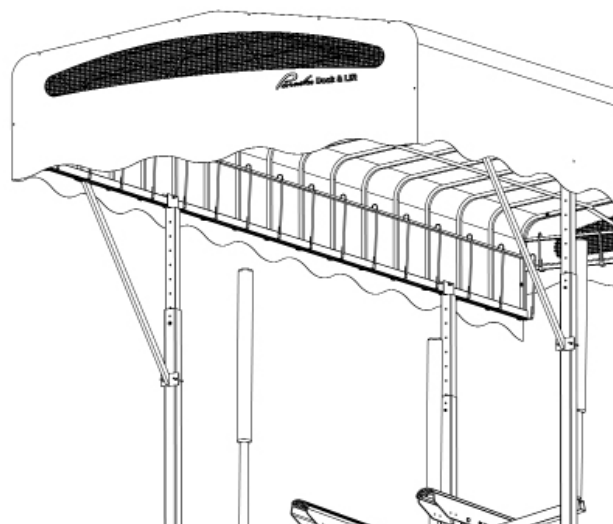
Step 7: Install Canopy Bracing (27' Only)

Install canopy bracing with the 3/8"-16 U-bolts and kep nuts on the bottom, and split nuts, 3/8"-16 x3/4" button head bolts, and 3/8" lock washers on the top.



Step 8: Install Canopy Cover

Unfold the cover along the spine of the frame, then roll the cover down to the edges of the frame. Hook the bungee hooks onto the frame to secure the cover.



GENERAL MAINTENANCE

- Remove canopy cover during winter months to avoid freezing.
- Remove canopy cover if high winds are expected. The lift could become unstable if winds are strong enough.
- Do not allow puddles to pool on the cover for extended periods of time.

WARRANTY

PARADISE DOCK & LIFT INC. 15 YEAR LIMITED WARRANTY

Paradise Dock & Lift Inc. ("Paradise") warrants to the original purchaser that its parts for residential use are free from defects in materials and workmanship as stated in this Limited Warranty during the Warranty Period as identified herein. The Warranty Period begins on the date of purchase as shown on its receipt or invoice. The Limited Warranty is not transferrable or assignable. Any product used commercially or for non-residential use is limited to a 1-year warranty.

Dock Frames: Roll-In Dock, Sectional Dock, Floating Docks – 15 Year Warranty Period			
Paradise will provide replacement parts, on a non-pro-rated basis, for five (5) years from the date of purchase for these items if they are found to be defective in workmanship. After this 5-year parts warranty, an additional ten-year pro-rated warranty covers these components as shown below. Aluminum decking is warranted for 5 years, the warranty does not include paint fading, paint wear, scratches, and denting. Third-Party components carrier their respective warranty from their manufacturer.			
The pro-rated schedule of these items is as follows:			
Year After Purchase	Consumer Portion of Current Retail Price	Year After Purchase	Consumer Portion of Current Retail Price
6	5% Parts Only	11	50% Parts Only
7	10% Parts Only	12	60% Parts Only
8	20% Parts Only	13	70% Parts Only
9	30% Parts Only	14	80% Parts Only
10	40% Parts Only	15	90% Parts Only

Boat Lift Frames – 15 Year Warranty Period			
Paradise will provide replacement parts, on a non-pro-rated basis, for five (5) years from the date of purchase for these items if they are found to be defective in workmanship. After this 5-year parts warranty, an additional ten-year pro-rated warranty covers these components as shown below. This is exclusive of the hydraulics, hoses and powerpack, which parts only have three (3) years coverage from the date of purchase if found to be defective in workmanship.			
The pro-rated schedule of these items is as follows:			
Year After Purchase	Consumer Portion of Current Retail Price	Year After Purchase	Consumer Portion of Current Retail Price
6	5% Parts Only	11	50% Parts Only
7	10% Parts Only	12	60% Parts Only
8	20% Parts Only	13	70% Parts Only
9	30% Parts Only	14	80% Parts Only
10	40% Parts Only	15	90% Parts Only

Dock Accessories, Boat Lift Accessories, Wheel Kits & Tires – 3 Year Warranty Period

Defects in the material and workmanship of certain accessories of Paradise dock and boat lift systems are covered under a three (3) year pro-rated warranty. Items covered include wheel kits, plastic wheels/tires, benches (except cedar boards), bumpers, dock stairs, ladders, dock furniture/tables, kayak/canoe rack/ flagpole, shore-end ramps (except cedar boards), support poles, poly decking, hammocks, guide-ons, bow-stops, canopies, walkways and powerpack brackets.

This Limited Warranty is for the repair or replacement of parts only. If you discover a parts defect, you must notify your local Paradise dealer or distributor, in writing, of any claim under this Limited Warranty. Your written notification must include proof of purchase which includes the original name, address, and details about the warranty claim. At Paradise's request for confirmation of defect, you are responsible for returning the part to your local Paradise's dealer or distributor. The replacement part shall be warranted for the balance of the Warranty Period remaining on the original part.

AFTER RECEIVING NOTIFICATION OF THE DEFECT, PARADISE WILL, AT ITS DISCRETION, REPAIR, REPLACE, OR, IF PARADISE DETERMINES IN ITS SOLE DISCRETION THAT REPAIR OR REPLACEMENT IS NOT FEASIBLE, REFUND THE PURCHASE PRICE OF THE PART FOUND ON EXAMINATION BY PARADISE TO BE DEFECTIVE UNDER NORMAL USE AND SERVICE. IN ORDER TO ALLOW PARADISE AN OPPORTUNITY TO ASSESS THE CONDITION OF THE PART FOR WHICH A WARRANTY CLAIM IS MADE, YOU SHALL PROVIDE REASONABLE ACCESS TO THE PART TO PARADISE AND/OR ITS AGENTS, WHICH INCLUDES PARADISE DEALERS OR DISTRIBUTORS. TO FACILITATE THE PROMPT ASSESSMENT OF YOUR WARRANTY CLAIM, PARADISE MAY, FROM TIME TO TIME, REQUIRE THAT YOU PROVIDE ADDITIONAL DOCUMENTATION, PHOTOGRAPHS AND OTHER INFORMATION. FAILURE TO PROVIDE THE FOREGOING WITHIN A REASONABLE TIME FROM THE DATE OF REQUEST BY PARADISE WILL INVALIDATE YOUR LIMITED WARRANTY.

Routine maintenance and checking for loose connections or damaged parts must be performed on a monthly basis. Paradise shall not warrant and cover any damage caused by circumstances outside the reasonable control of Paradise, or defect in the parts directly or indirectly, or wholly or partly attributable to:

- (a) the misuse, negligence, abuse, neglect, improper installation, including any damage to the parts resulting from alterations or modifications made by any person not authorized by Paradise;
- (b) exposure of the parts to snow or ice, salt water use, natural expansion or contraction of parts caused by weather conditions, severe weather conditions, storms, vandalism, being hit by another a watercraft, terrorism, or acts of God;
- or
- (c) accident, overloading, power surges, corrosion, or operation of the parts on circuits or voltage other than those specified to the parts.

THIS LIMITED WARRANTY IS YOUR EXCLUSIVE WARRANTY AND REPLACES ALL OTHER WARRANTIES OR CONDITIONS, EXPRESS OR IMPLIED, INCLUDING BUT NOT LIMITED TO, THE IMPLIED WARRANTIES OR CONDITIONS OF MERCHANTABILITY AND FITNESS FOR A PARTICULAR PURPOSE.

Some provinces or jurisdictions do not allow limitations on how long an implied warranty lasts, so the above duration may not apply to you.

IN NO EVENT SHALL PARADISE, ITS SUBSIDIARIES, PARENT, SUPPLIERS, DEALERS, DISTRIBUTORS, RESELLERS OR SERVICE PROVIDERS BE LIABLE FOR: (i) third party claims against you for damages; or (ii) special, incidental, indirect or consequential damages, including lost profits, business revenue, goodwill or anticipated savings, these exclusions apply even if paradise has been advised of the possibility of these damages and even if any remedy fails of its essential purpose. Subject to this paragraph, any claim for damages for breach of warranty shall be limited to the purchase price of the part.

NOTHING IN THIS LIMITED WARRANTY AFFECTS STATUTORY RIGHTS THAT CANNOT BE WAIVED OR LIMITED BY THIS LIMITED WARRANTY.



Paradise Dock & Lift Inc.

4311A 25 Ave.

Vernon, BC, Canada

V1T 1P5

paradisedocklift.com

info@paradisedocklift.com

1-888-411-3625

SPECIFICATIONS & INSTRUCTIONS SUBJECT TO CHANGE
WITHOUT NOTICE.

COPYRIGHT © 2021 PARADISE DOCK & LIFT INC.