



SHALLOW WHEEL-KIT INSTRUCTIONS

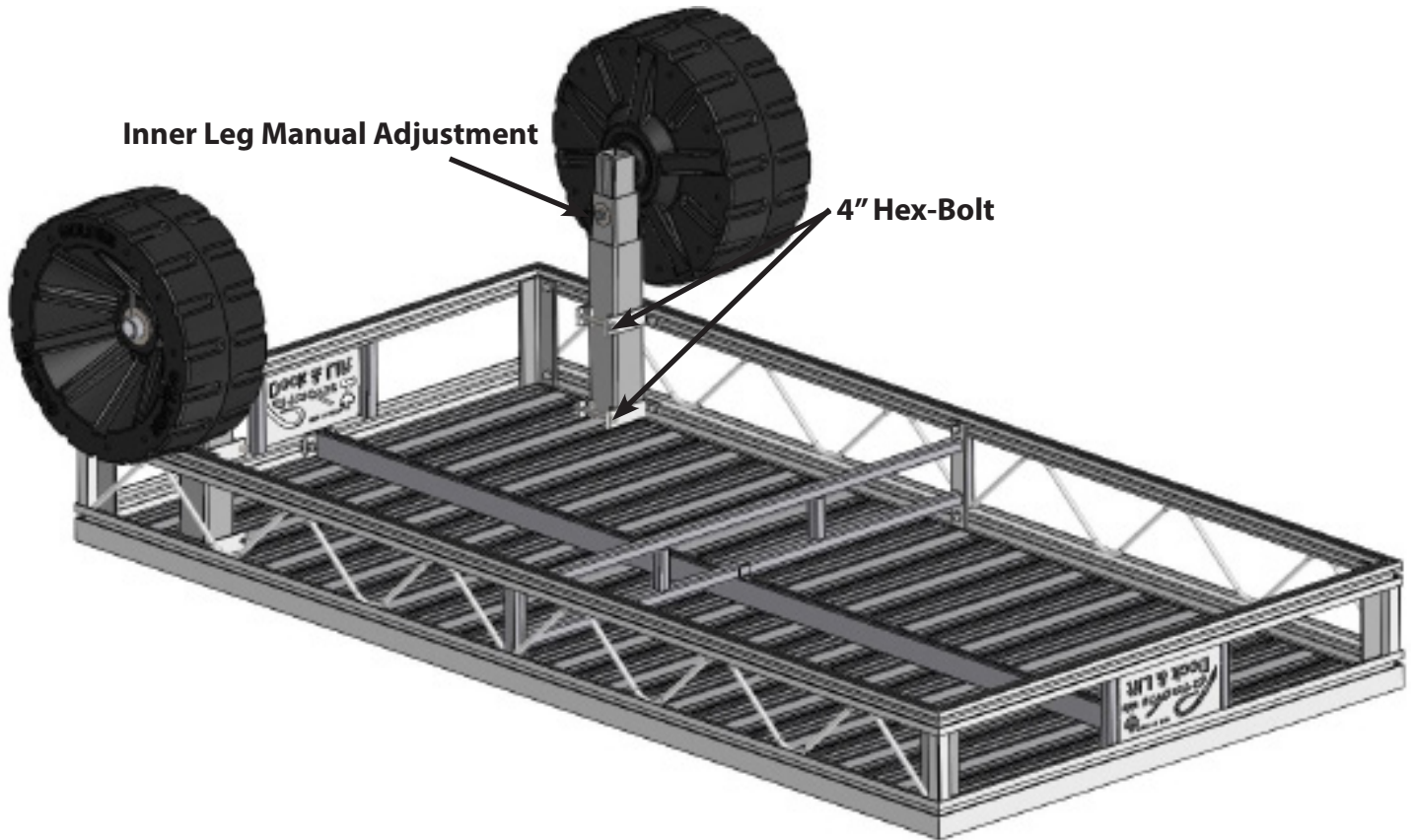


READ FIRST

- Do not step on the underside of the deck boards as it could result in the breaking of a deck clip.
- Never adjust the wheel kits with an impact wrench.
- Never use more than 15 ft/lbs of torque, using too much force will damage the mechanism.
- When using a cordless drill to extend or retract the legs make sure the clutch mode is engaged, failure to use the clutch might result in damage to yourself or the mechanism.

Manual Adjustment: 10"
Screw-Jack Adjustment: 8"
Total Adjustment: 18"

WHEEL KIT OVERVIEW



TOOLS REQUIRED

- **9/16" Wrench and Socket Driver.**
- **1 1/8" Socket & Cordless Drill.**
- **3/4" Wrench for adjusting manual set-screw**
- **7/32" Allan Key**
- **Carpenters Square**

HARDWARE & PARTS

A. Hex-Bolt 3/8" x 4"



x 4

F. Nylock 3/8"



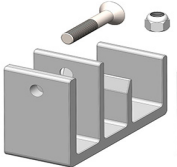
x 6

I. Wheel Washer & Clip



x 2

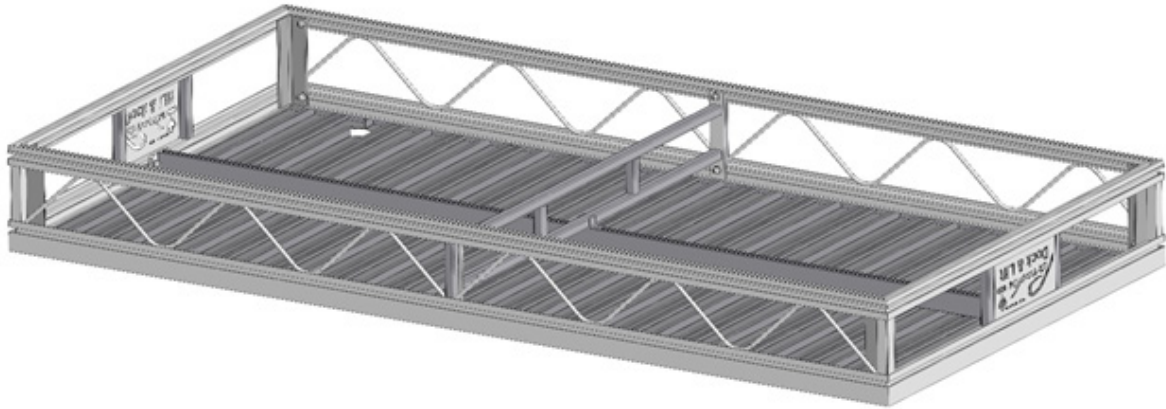
J. Dock Connector with countersunk bolt



x 2

STEP 1: Flip the dock upside down

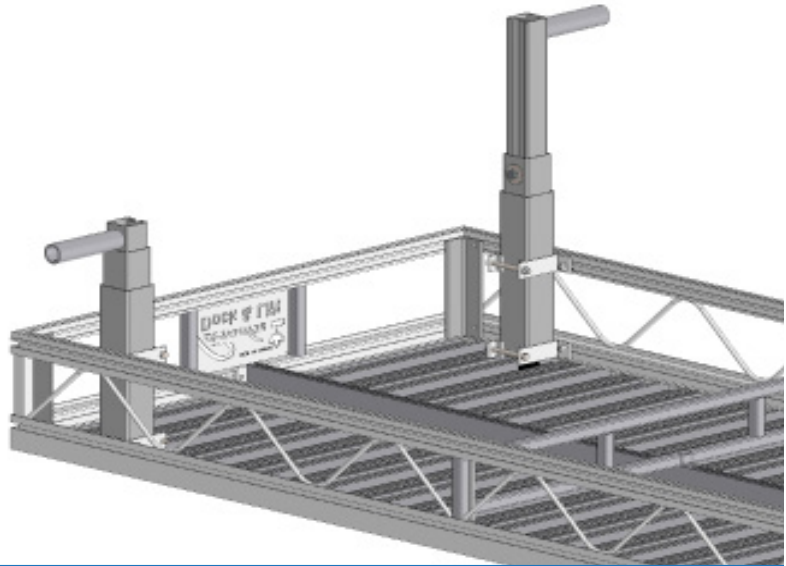
Flip dock upside down onto an even surface and block the corners, be careful there are no rocks or uneven obstacles that could damage the decking.



STEP 2: Insert Leg-Assembly

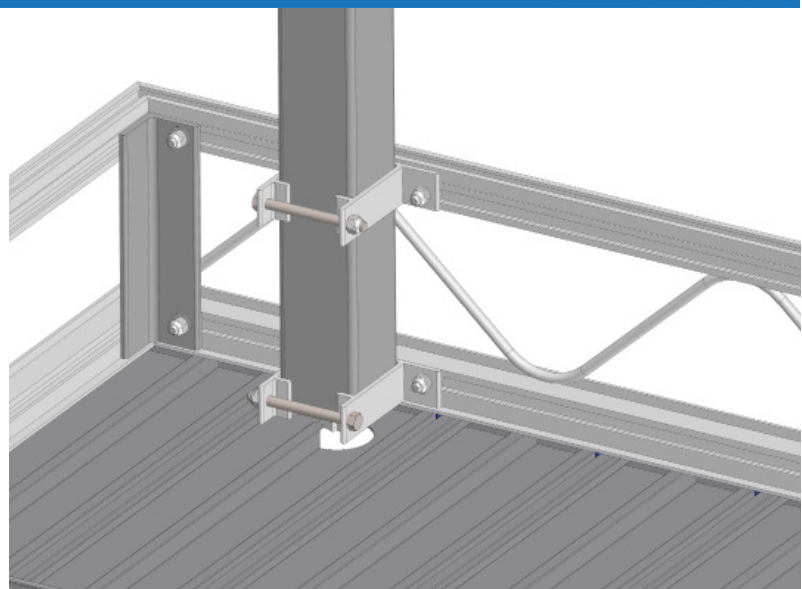
- Place the brace clamps on top of the leg clamps and slide the leg assembly through the brace clamps and into the leg clamps.
- Make sure the leg is slid all the way down and touching the lip of the upper extrusion

Note the proper positioning of the brace clamps as shown in the picture



STEP 3: Secure the Leg-Assembly

- Square the legs to the dock frame
- Install the (4) 3/8"x4" bolts through the leg clamp.
- Secure with (4) aluminum nylocks, tighten with a wrench.

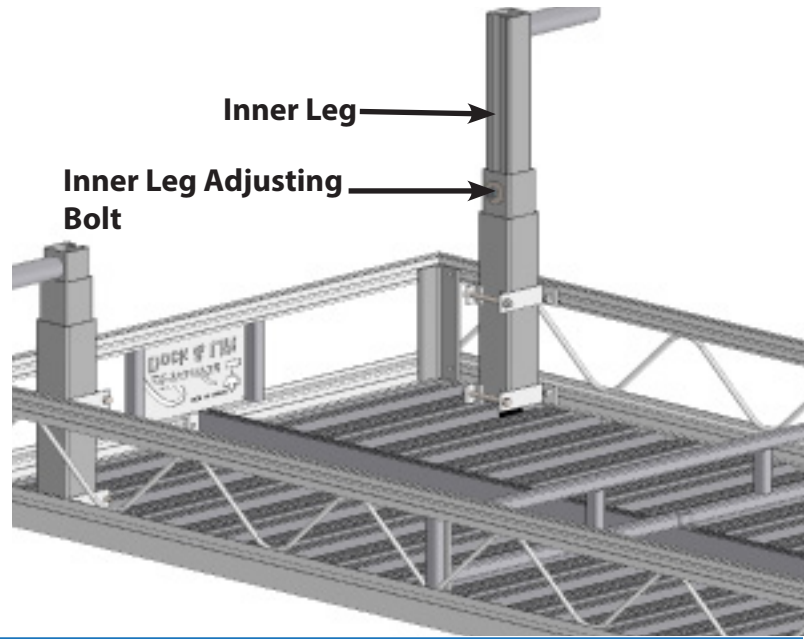


STEP 5: Adjust Inner Leg

- Loosen the Inner Leg adjusting bolt with a 3/4" wrench. Extend the leg to the appropriate length and tighten to 40 ft/lbs.

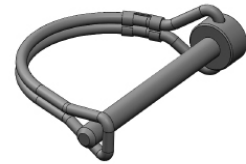
NEVER EXTEND THE LEG MORE THAN 13"

Water Depth:	Extend Inner Leg
13"-19"	2.5"
19"-25"	8"
25"-30"	13"



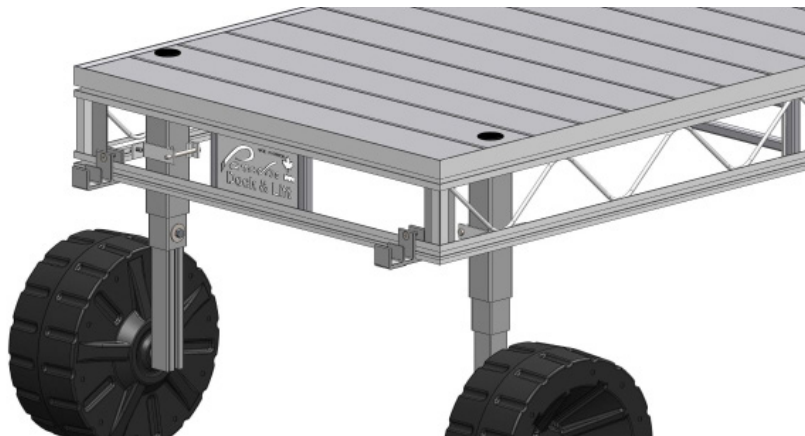
STEP 6: Install the Tires or Sandpads

- Slide the tire onto the axle, slide the washer onto the axle and secure in place with the safety pin.



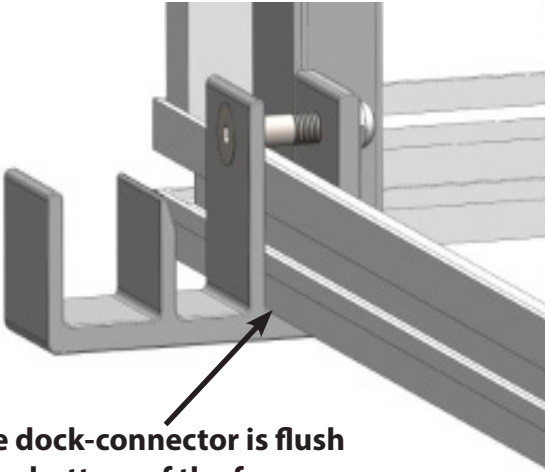
STEP 7: Flip Over & Install Dock-Connectors

- Flip the dock over and slide the dock connectors onto the bottom frame member, the connectors should be as far apart as possible.

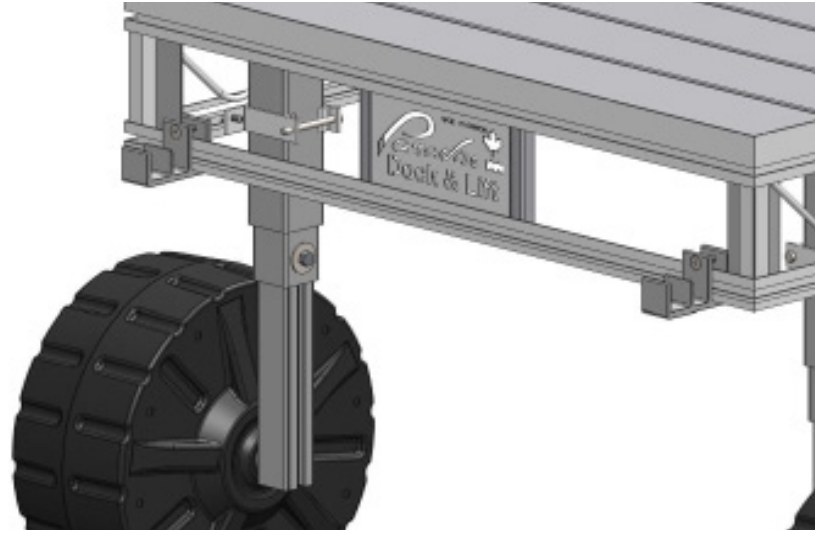


STEP 8: Secure Dock-Connectors

- Secure dock-connector with the 3/8"x2.25" countersunk bolts and aluminum nylock nuts.



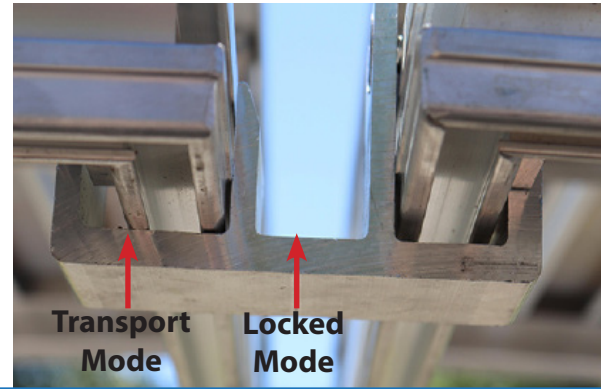
Make sure dock-connector is flush against the bottom of the frame.



INSTALLING & ADJUSTING

TRANSPORT MODES:

- When wheeling in multiple sections make sure the dock section is in the transport position. Once the docks are in position lift the section up and install in the locked position.



ROLLING-IN:

- When rolling-multiple sections together make sure all the sections are in the transport mode, this allows the sections to pivot when going across uneven terrain. Once in the final position lift the dock section up and place into the locked mode.

DOCK HEIGHT:

- We recommend setting the top of the dock at least 18" above the water. For rough lakes with high wave action and lots of boat traffic we suggest setting the top of the dock 24" above the water.



Clockwise to lower
Counter clockwise to raise



LEVELING DOCK:

- To adjust the dock you will need a 1 1/8" socket and a cordless drill. When extending or retracting the legs make sure the clutch mode is engaged, failure to use the clutch might result in damage to yourself or the mechanism. When leveling alternate between legs every 3-4" to prevent binding.

DRILL WILL COME TO A SUDDEN STOP WHEN LEG IS FULLY EXTENDED.

DO NOT USE MORE THAN 15 FT/LBS OF FORCE.

DOCK CAP:

- When finished insert the plastic dock cap into the hole to cover the adjusting nut.



WARRANTY

PARADISE DOCK & LIFT INC.

15 YEAR LIMITED WARRANTY

Paradise Dock & Lift Inc. (“Paradise”) warrants to the original purchaser that its parts for residential use are free from defects in materials and workmanship as stated in this Limited Warranty during the Warranty Period as identified herein. The Warranty Period begins on the date of purchase as shown on its receipt or invoice. The Limited Warranty is not transferrable or assignable. Any product used commercially or for non-residential use is limited to a 1-year warranty.

Dock Frames: Roll-In Dock, Sectional Dock, Floating Docks – 15 Year Warranty Period			
Paradise will provide replacement parts, on a non-pro-rated basis, for five (5) years from the date of purchase for these items if they are found to be defective in workmanship. After this 5-year parts warranty, an additional ten-year pro-rated warranty covers these components as shown below. Aluminum decking is warrantied for 5 years, the warranty does not include paint fading, paint wear, scratches, and denting. Third-Party components carrier their respective warranty from their manufacturer.			
The pro-rated schedule of these items is as follows:			
Year After Purchase	Consumer Portion of Current Retail Price	Year After Purchase	Consumer Portion of Current Retail Price
6	5% Parts Only	11	50% Parts Only
7	10% Parts Only	12	60% Parts Only
8	20% Parts Only	13	70% Parts Only
9	30% Parts Only	14	80% Parts Only
10	40% Parts Only	15	90% Parts Only

Boat Lift Frames – 15 Year Warranty Period			
Paradise will provide replacement parts, on a non-pro-rated basis, for five (5) years from the date of purchase for these items if they are found to be defective in workmanship. After this 5-year parts warranty, an additional ten-year pro-rated warranty covers these components as shown below. This is exclusive of the hydraulics, hoses and powerpack, which parts only have three (3) years coverage from the date of purchase if found to be defective in workmanship.			
The pro-rated schedule of these items is as follows:			
Year After Purchase	Consumer Portion of Current Retail Price	Year After Purchase	Consumer Portion of Current Retail Price
6	5% Parts Only	11	50% Parts Only
7	10% Parts Only	12	60% Parts Only
8	20% Parts Only	13	70% Parts Only
9	30% Parts Only	14	80% Parts Only
10	40% Parts Only	15	90% Parts Only

Dock Accessories, Boat Lift Accessories, Wheel Kits & Tires – 3 Year Warranty Period

Defects in the material and workmanship of certain accessories of Paradise dock and boat lift systems are covered under a three (3) year pro-rated warranty. Items covered include wheel kits, plastic wheels/tires, benches (except cedar boards), bumpers, dock stairs, ladders, dock furniture/tables, kayak/canoe rack/ flagpole, shore-end ramps (except cedar boards), support poles, poly decking, hammocks, guide-ons, bow-stops, canopies, walkways and powerpack brackets.

This Limited Warranty is for the repair or replacement of parts only. If you discover a parts defect, you must notify your local Paradise dealer or distributor, in writing, of any claim under this Limited Warranty. Your written notification must include proof of purchase which includes the original name, address, and details about the warranty claim. At Paradise's request for confirmation of defect, you are responsible for returning the part to your local Paradise's dealer or distributor. The replacement part shall be warranted for the balance of the Warranty Period remaining on the original part.

AFTER RECEIVING NOTIFICATION OF THE DEFECT, PARADISE WILL, AT ITS DISCRETION, REPAIR, REPLACE, OR, IF PARADISE DETERMINES IN ITS SOLE DISCRETION THAT REPAIR OR REPLACEMENT IS NOT FEASIBLE, REFUND THE PURCHASE PRICE OF THE PART FOUND ON EXAMINATION BY PARADISE TO BE DEFECTIVE UNDER NORMAL USE AND SERVICE.

IN ORDER TO ALLOW PARADISE AN OPPORTUNITY TO ASSESS THE CONDITION OF THE PART FOR WHICH A WARRANTY CLAIM IS MADE, YOU SHALL PROVIDE REASONABLE ACCESS TO THE PART TO PARADISE AND/OR ITS AGENTS, WHICH INCLUDES PARADISE DEALERS OR DISTRIBUTORS. TO FACILITATE THE PROMPT ASSESSMENT OF YOUR WARRANTY CLAIM, PARADISE MAY, FROM TIME TO TIME, REQUIRE THAT YOU PROVIDE ADDITIONAL DOCUMENTATION, PHOTOGRAPHS AND OTHER INFORMATION. FAILURE TO PROVIDE THE FOREGOING WITHIN A REASONABLE TIME FROM THE DATE OF REQUEST BY PARADISE WILL INVALIDATE YOUR LIMITED WARRANTY.

Routine maintenance and checking for loose connections or damaged parts must be performed on a monthly basis. Paradise shall not warrant and cover any damage caused by circumstances outside the reasonable control of Paradise, or defect in the parts directly or indirectly, or wholly or partly attributable to:

- (a) the misuse, negligence, abuse, neglect, improper installation, including any damage to the parts resulting from alterations or modifications made by any person not authorized by Paradise;
 - (b) exposure of the parts to snow or ice, salt water use, natural expansion or contraction of parts caused by weather conditions, severe weather conditions, storms, vandalism, being hit by another a watercraft, terrorism, or acts of God;
- or
- (c) accident, overloading, power surges, corrosion, or operation of the parts on circuits or voltage other than those specified to the parts.

THIS LIMITED WARRANTY IS YOUR EXCLUSIVE WARRANTY AND REPLACES ALL OTHER WARRANTIES OR CONDITIONS, EXPRESS OR IMPLIED, INCLUDING BUT NOT LIMITED TO, THE IMPLIED WARRANTIES OR CONDITIONS OF MERCHANTABILITY AND FITNESS FOR A PARTICULAR PURPOSE.

Some provinces or jurisdictions do not allow limitations on how long an implied warranty lasts, so the above duration may not apply to you.

IN NO EVENT SHALL PARADISE, ITS SUBSIDIARIES, PARENT, SUPPLIERS, DEALERS, DISTRIBUTORS, RESELLERS OR SERVICE PROVIDERS BE LIABLE FOR: (i) third party claims against you for damages; or (ii) special, incidental, indirect or consequential damages, including lost profits, business revenue, goodwill or anticipated savings, these exclusions apply even if paradise has been advised of the possibility of these damages and even if any remedy fails of its essential purpose. Subject to this paragraph, any claim for damages for breach of warranty shall be limited to the purchase price of the part.

NOTHING IN THIS LIMITED WARRANTY AFFECTS STATUTORY RIGHTS THAT CANNOT BE WAIVED OR LIMITED BY THIS LIMITED WARRANTY.



Paradise Dock & Lift Inc.
4311A 25 Ave.
Vernon, BC, Canada
V1T 1P5
paradisedocklift.com
info@paradisedocklift.com
1-888-411-3625

SPECIFICATIONS & INSTRUCTIONS SUBJECT TO CHANGE
WITHOUT NOTICE.
COPYRIGHT © 2021 PARADISE DOCK & LIFT INC.