

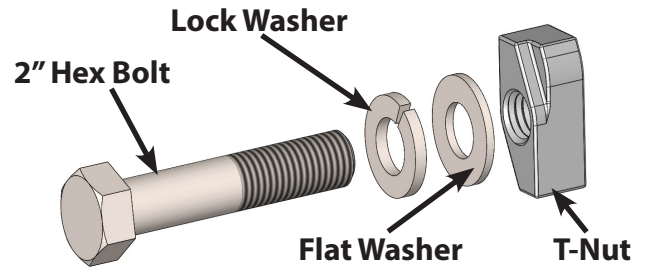


CORNER DOCK BUMPER

TOOLS REQUIRED:

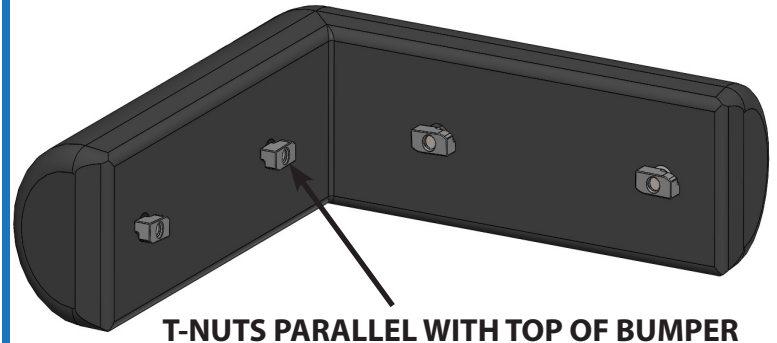
- 9/16" Deep Socket

Make sure the bolt is loosely threaded on the T-nut, there should be no pressure on the bolt from the lock washer.



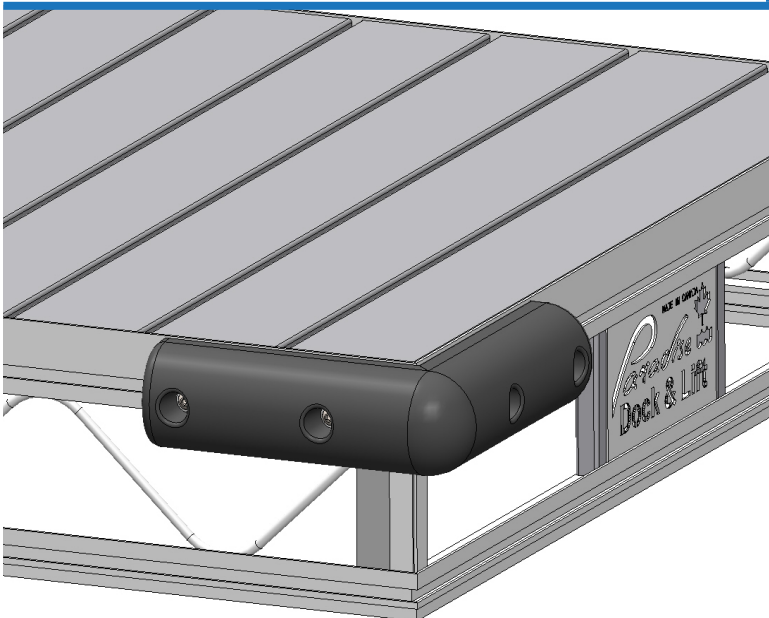
STEP 1:

- Unpackage the bumper, you will notice it comes pre-assembled with the mounting hardware.



STEP 2:

- Loosen off the T-nut, so it is loosely threaded to the hex-bolt.
- Turn the T-nuts so they are parallel with the bumper.



STEP 3:

- Insert the T-nuts into the track and tighten with a deep socket 9/16" wrench. The T-nuts will rotate and tighten up against the track
- Check to make sure the T-nuts are properly engaged, try pulling on the bumper to ensure T-nut has engaged.
- If the bumper pulls away from the dock, loosen the hex-bolts and re-tighten.

IMPORTANT: T-NUT MUST BE PROPERLY ENGAGED FOR SAFETY